

# JVC

# SCHEMATIC DIAGRAMS

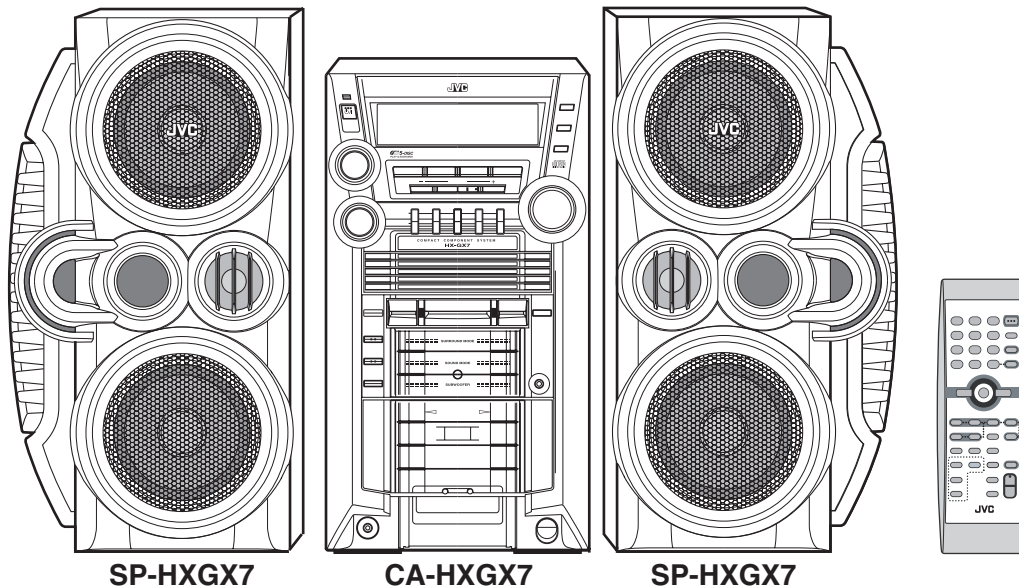
## COMPACT COMPONENT SYSTEM

# HX-GX7

CD-ROM No.SML200403

### Area suffix

J ----- U.S.A.  
C ----- Canada



SP-HXGX7

CA-HXGX7

SP-HXGX7

COMPACT  
disc  
DIGITAL AUDIO

### Contents

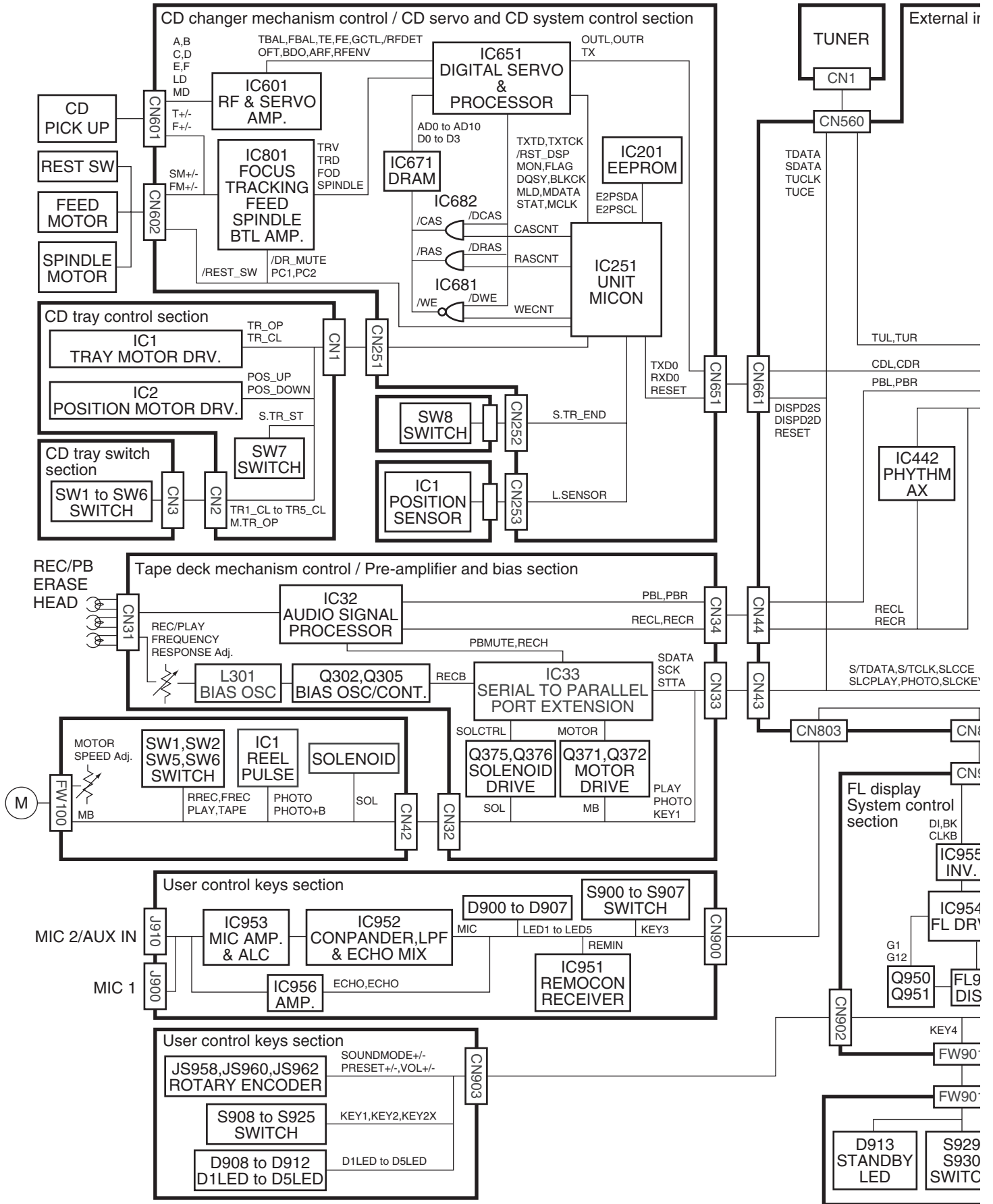
Block diagram .....	2-1
Standard schematic diagrams .....	2-3
Printed circuit boards .....	2-17 to 25

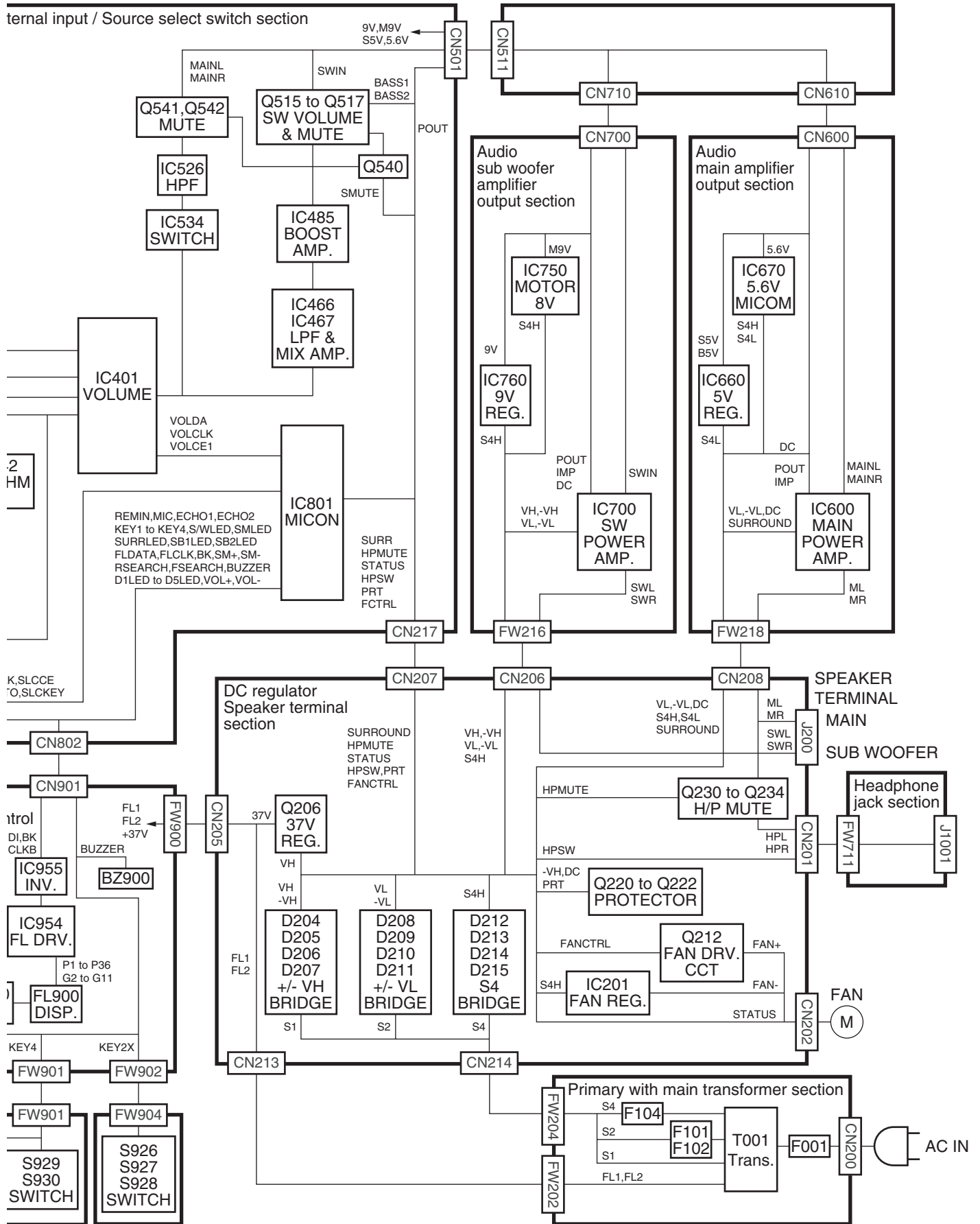
In regard with component parts appearing on the silk-screen printed side (parts side) of the PWB diagrams, the parts that are printed over with black such as the resistor (■), diode (▬) and ICP (●) or identified by the "▲" mark nearby are critical for safety.

(This regulation does not correspond to J and C version.)

< MEMO >

# Block diagram

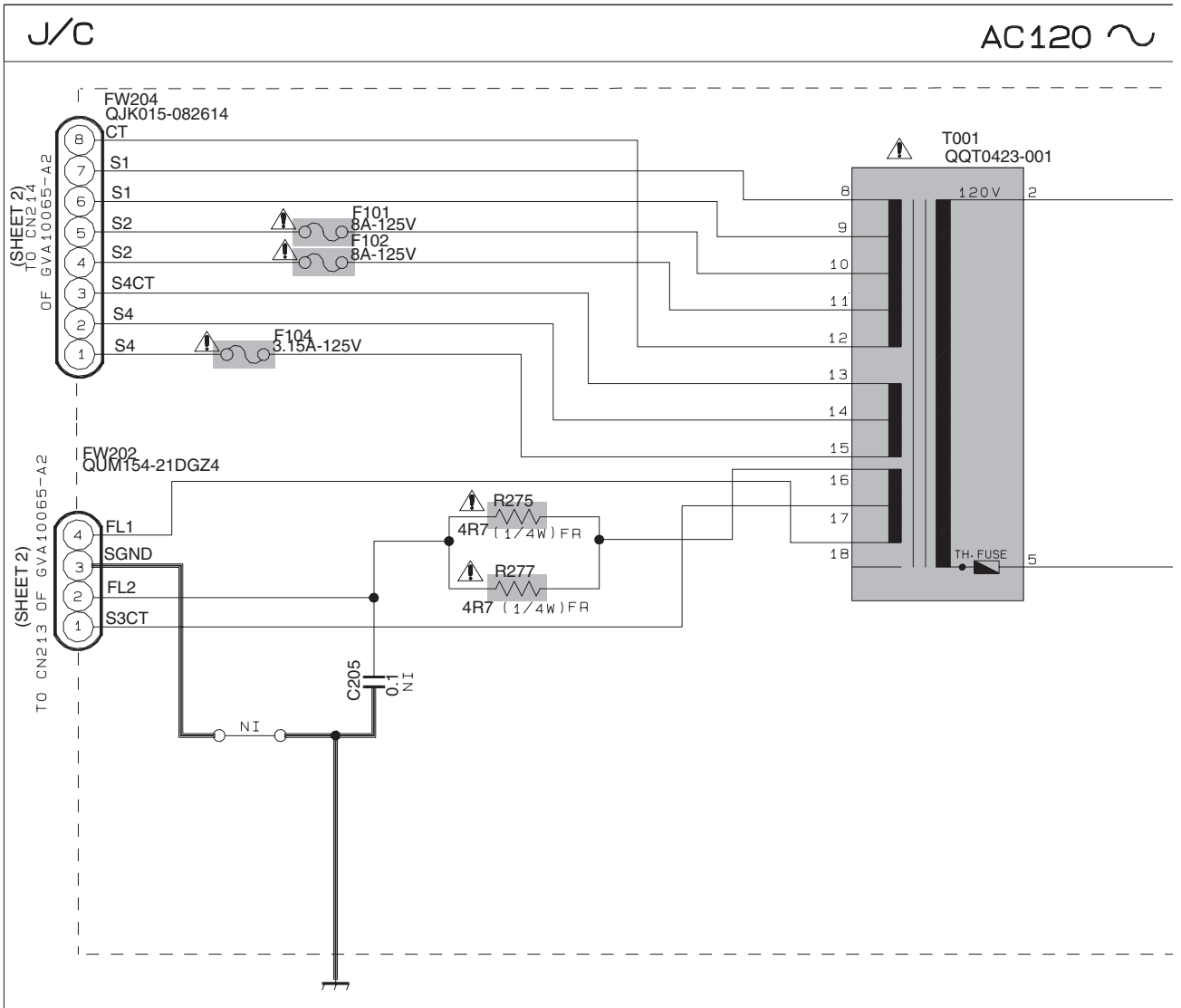




# Standard schematic diagrams

## ■ Primary with main transformer section

### POWER SUPPLY BLOCK

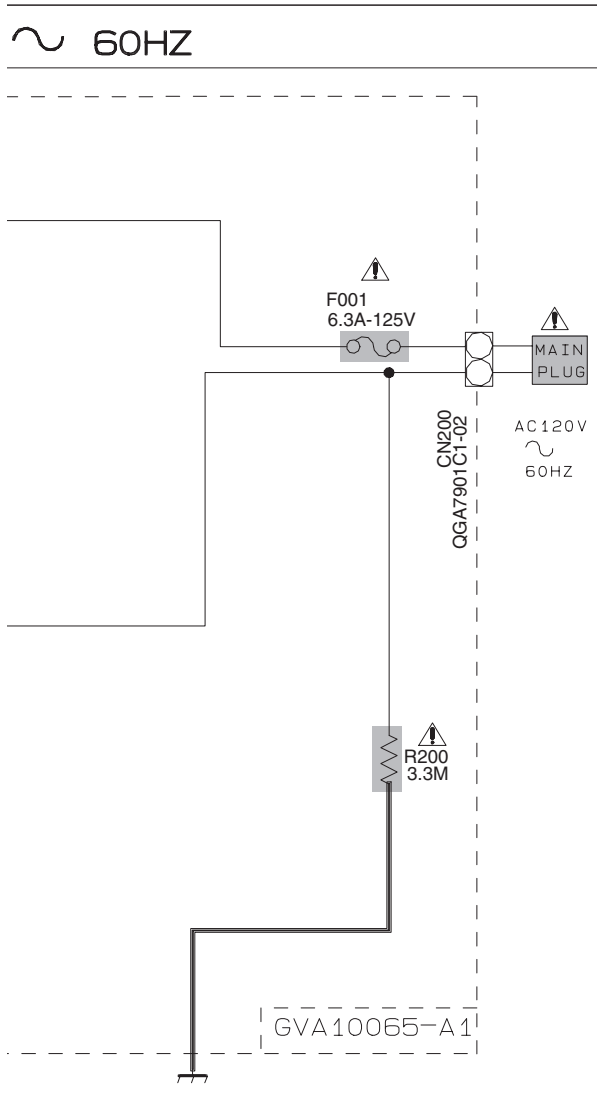



#### EXPLANATION OF OVERALL OF SCHEMA.

SHEET NUMBER	CIRCUITS DESCRIPTION
1/7	. PRIMARY WITH MAIN TRANSFORMER
2/7	. DC REGULATORS/AUDIO OUTPUT
3/7	. EXTERNAL INPUT SOURCE SELECTOR SWITCH
4/7	. FL DISPLAY, SYSTEM CONTROL, USER CONTROL KEYS
5/7	. CD CHANGER MECHANISM CONTROL . CD SERVO AND CD SYSTEM CONTROL
6/7	. CD TRAY CONTROL SECTION
7/7	. TAPE DECK MECHANISM CONTROL . TAPE CIRCUITS SUCH AS PRE-AMP AND BIAS

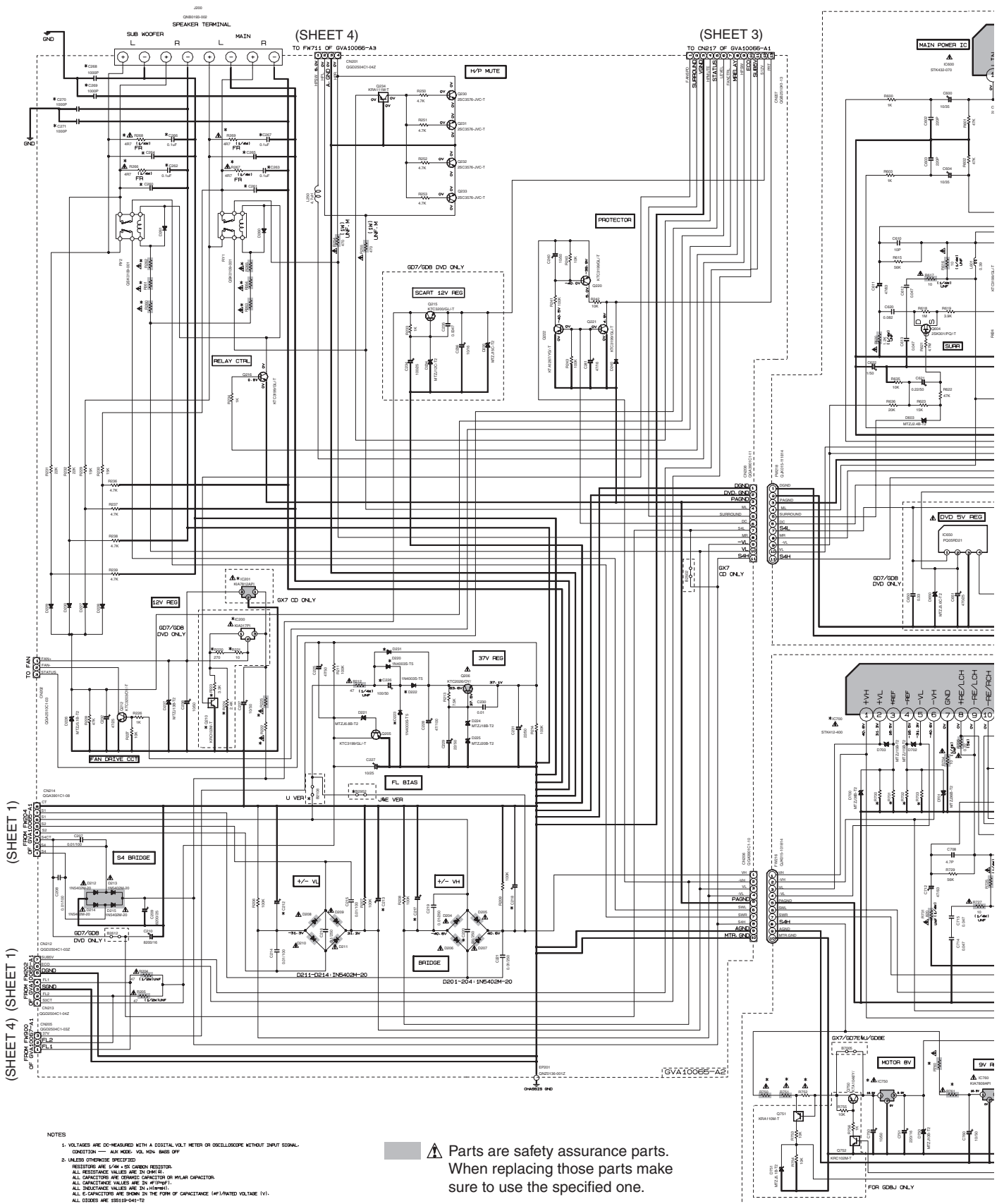
VERSION CODES
J - U.S.A.
C - CANADA

NOTE  
1. NI - COMPONENT NOT INSERT

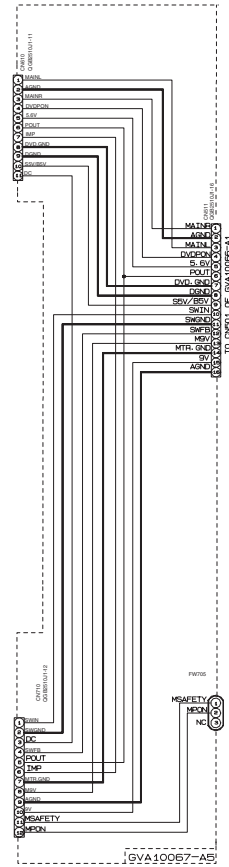
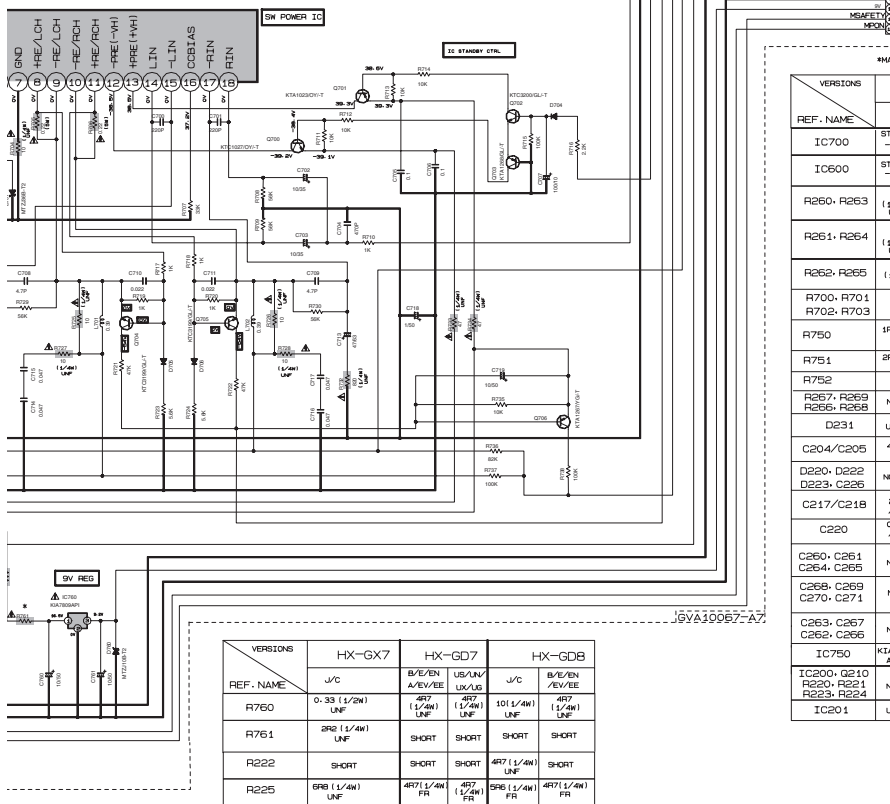
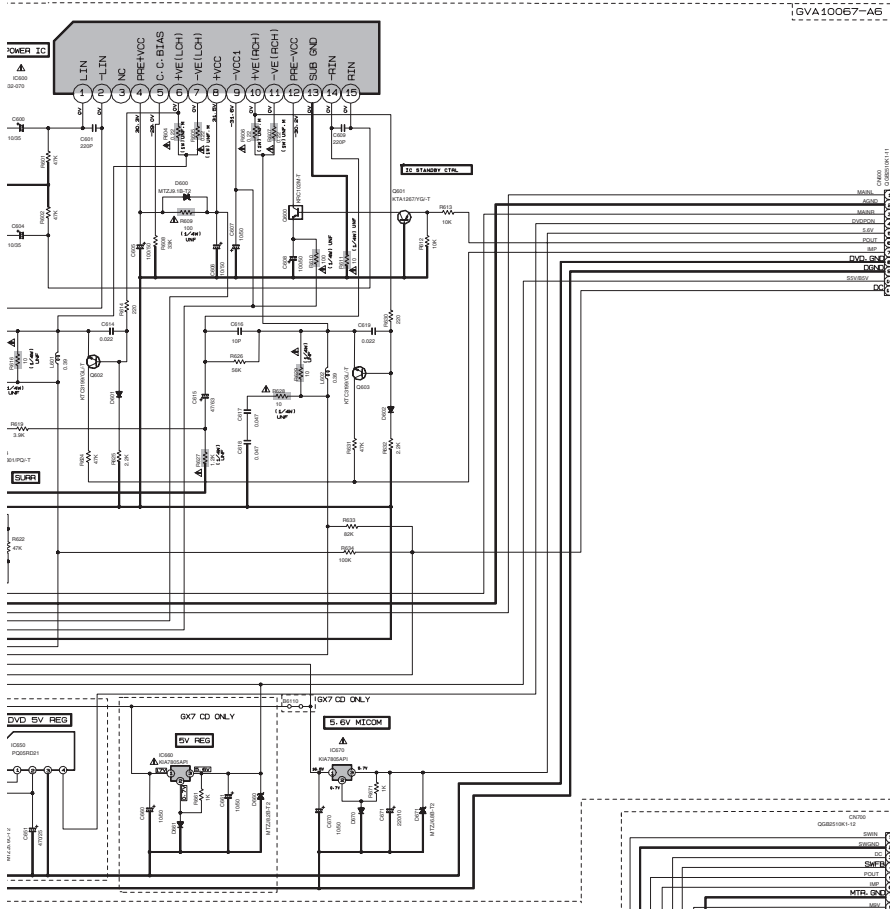


 Parts are safety assurance parts.  
 When replacing those parts make sure to use the specified one.

# DC regulator / Audio output section







(SHEET 3)

(SHEET 3)

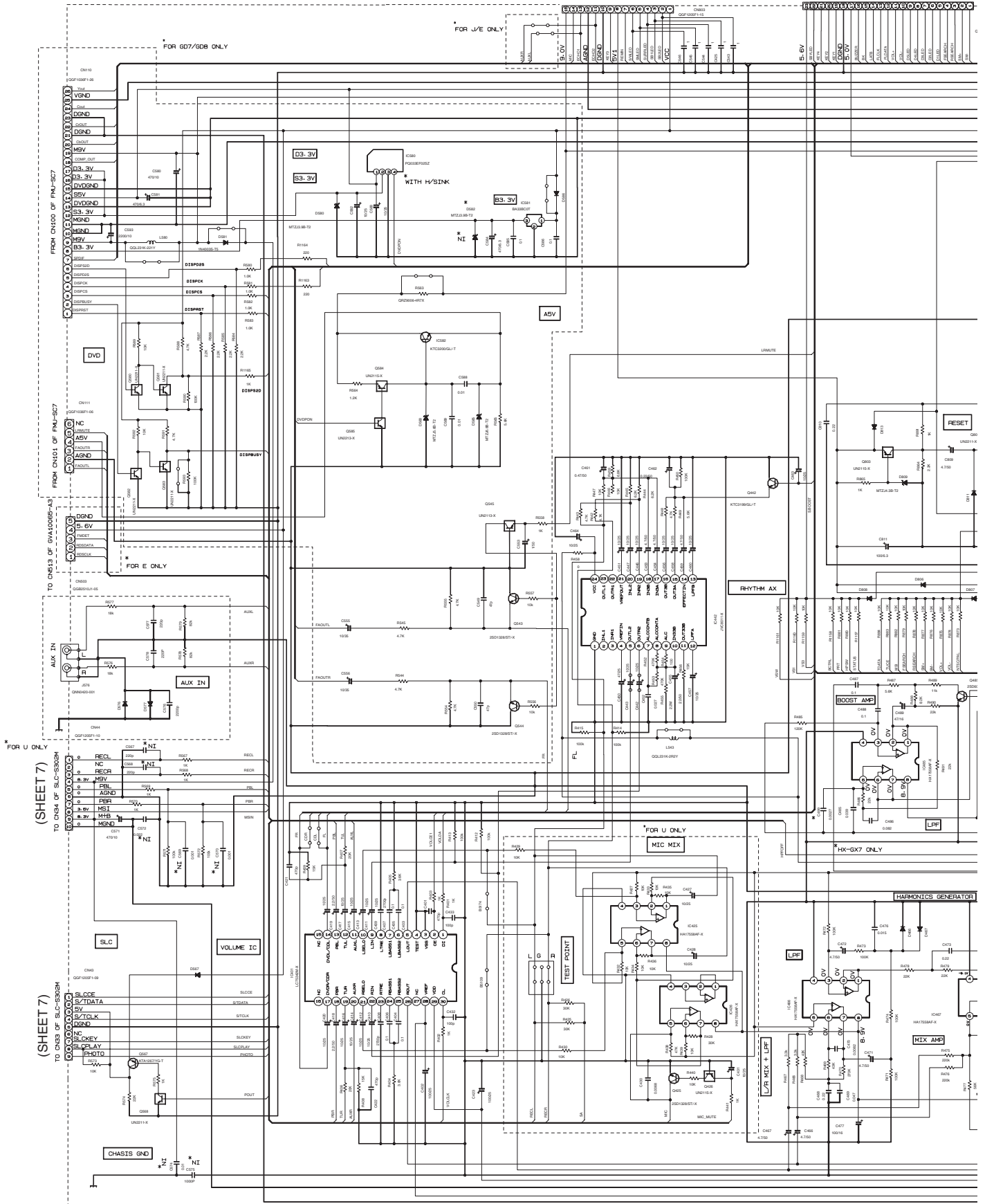
VERSIONS	HX-GX7		HX-GD7		HX-GDB	
	J/C	B/E/EN A/EV/EE	US/AV UK/UG	J/C	B/E/EN E/V/EE	
IC700	STK412 -430	STK412 -430	STK412 -430	STK412 -430	STK412 -430	
IC600	STK432 -070	STK432 -070	STK432 -070	STK432 -070	STK432 -070	
R260, R263	330 (1/2W) UNF	180 (1W) UNF	180 (1W) UNF	330 (1/2W) UNF	330 (1/2W) UNF	
R261, R264	330 (1/2W) UNF	180 (1W) UNF	180 (1W) UNF	330 (1/2W) UNF	330 (1/2W) UNF	
R262, R265	330 (1/2W) UNF	180 (1W) UNF	180 (1W) UNF	330 (1/2W) UNF	330 (1/2W) UNF	
R700, R701 R702, R703	10K	6.8K	6.8K	10K	6.8K	
R750	180 (1/4W) UNF	SHORT	SHORT	847 (1W) UNF	SHORT	
R751	2R2 (1/4W) UNF	SHORT	SHORT	2R2 (1/2W) UNF	SHORT	
R752	SHORT	SHORT	SHORT	2R2 (1/2W) UNF	SHORT	
R267, R269 R266, R268	NONE	USE	NONE	NONE	USE	
D231	USE	USE	NONE	USE	USE	
C204/C205	4700 /71	4700 /63	4700 /63	4700 /71	4700 /63	
D220, D222 D223, C226	NONE	NONE	USE	NONE	NONE	
C217/C218	2200 /50	2200 /30	2200 /30	2200 /50	2200 /30	
C220	0.01 /500	0.1 /250V	0.1 /250V	0.01 /500	0.01 /500	
C260, C261 C264, C265	NONE	3.3uF	1000uF	NONE	3.3uF	
C268, C269 C270, C271	NONE	USE	USE	NONE	USE	
C263, C267 C262, C266	NONE	USE	NONE	NONE	USE	
IC750	K1A7808 API	K1A7809 API	K1A7809 API	K1A7809 API	K1A7809 API	
IC200, G210 R220, R221 R223, R224	NONE	USE	USE	USE	USE	
IC201	USE	NONE	NONE	NONE	NONE	

VERSIONS	HX-GX7	HX-GD7	HX-GDB
REF. NAME	J/C	B/E/EN A/EV/EE	US/AV UK/UG
R760	0.33 (1/2W) UNF	4R7 (1/4W) UNF	4R7 (1/4W) UNF
R761	2R2 (1/4W) UNF	SHORT	SHORT
R222	SHORT	SHORT	4R7 (1/4W) UNF
R225	8R8 (1/4W) UNF	4R7 (1/4W) FR	4R7 (1/4W) FR

# External input / Source select switch section

(SHEET 4)  
TO CN900 OF GVA10066-A2

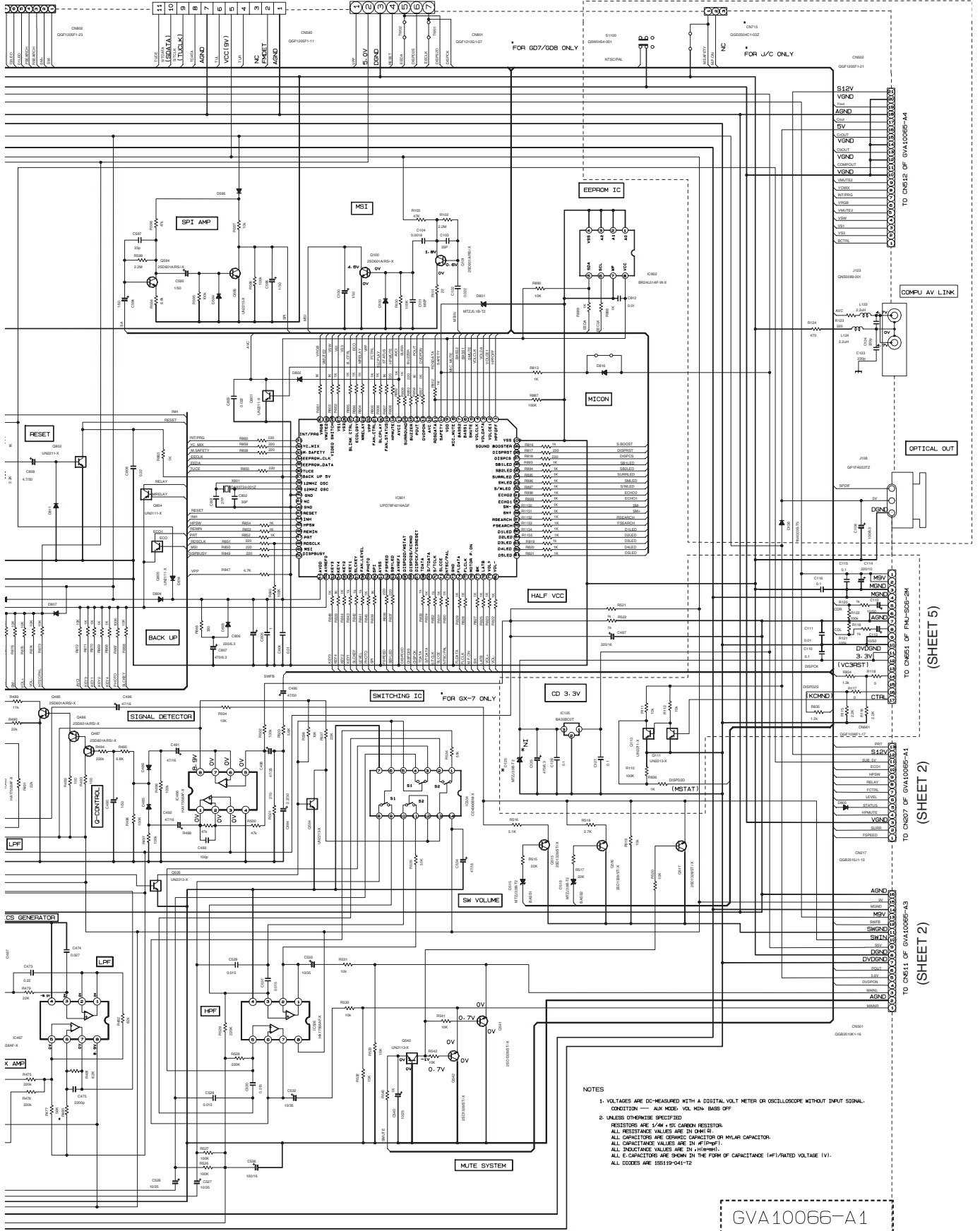
(SHEET 4)  
TO CN901 OF GVA10067-A1



To TUNER  
TO CN1 OF GAU346-001

FOR MICON REFLASH

(SHEET 2)

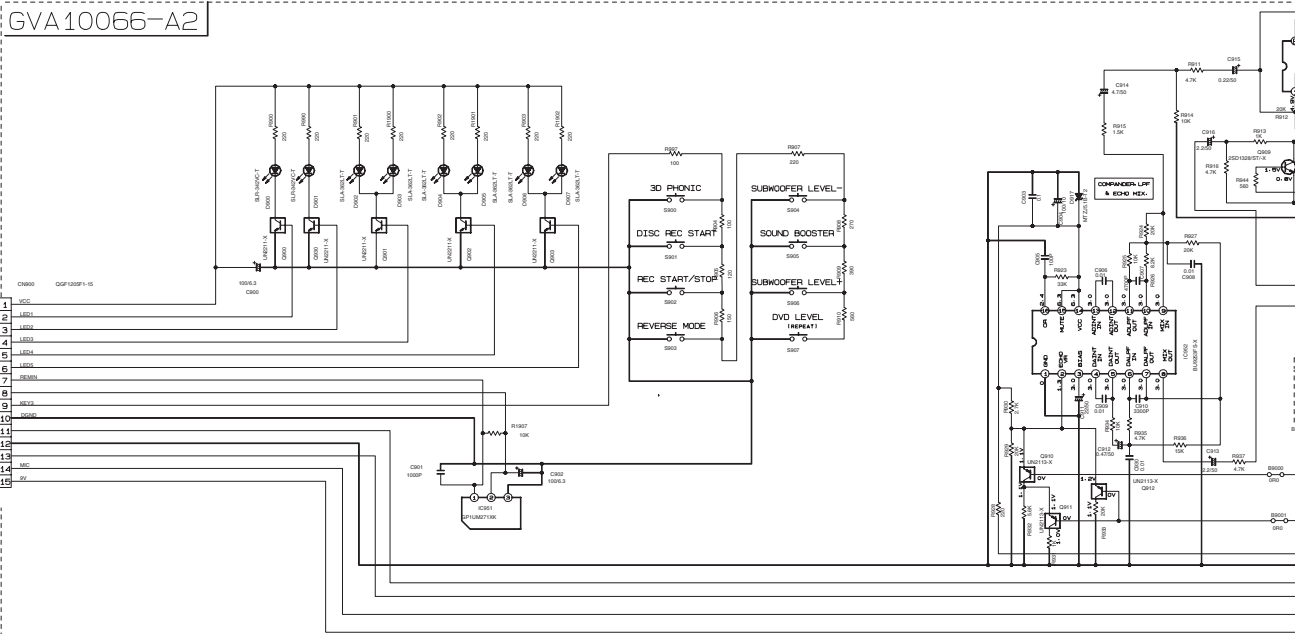


NOTES

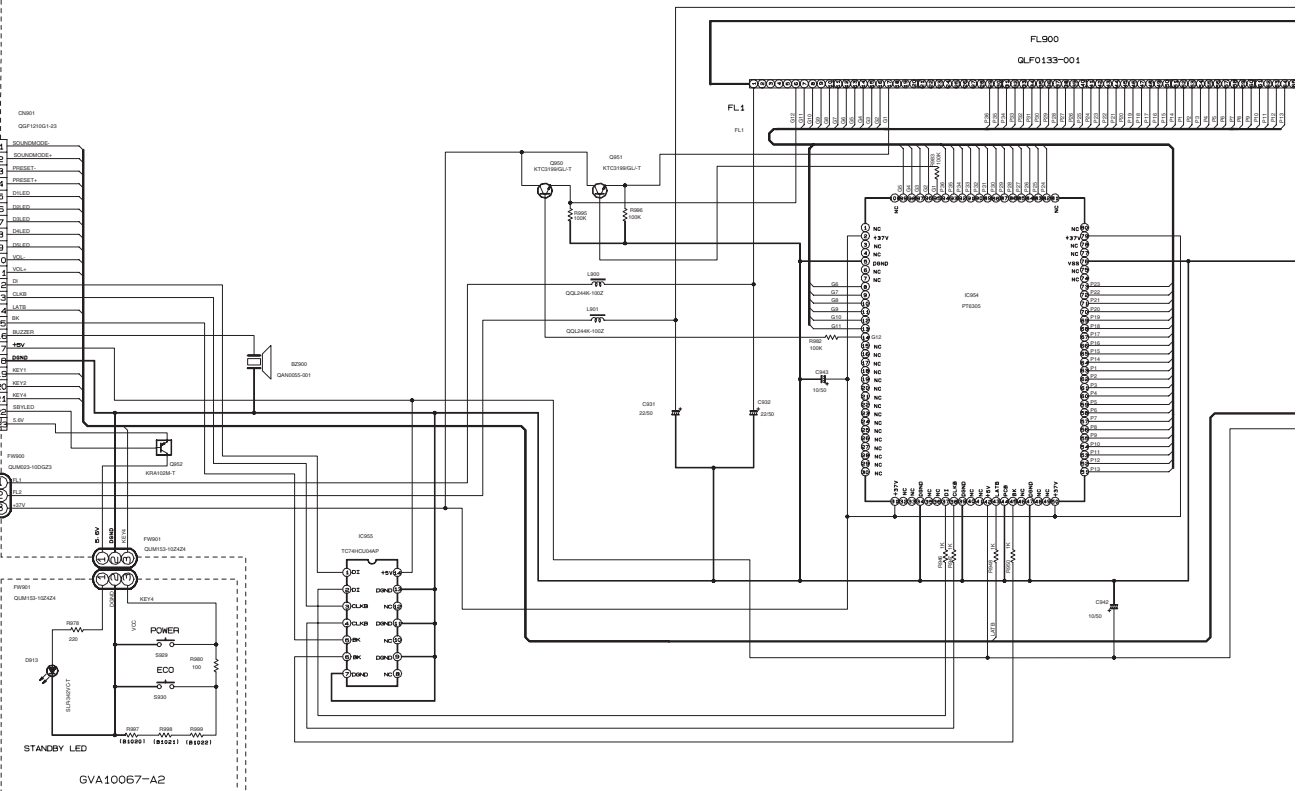
1. VOLTAGES ARE DC-MEASURED WITH A DIGITAL VOLT METER OR OSCILLOSCOPE WITHOUT INPUT SIGNAL.  
 CONDITION: ALL NOTES: VOL. MIN. BIAS OFF
2. UNLESS OTHERWISE SPECIFIED:  
 RESISTORS ARE 1/4W ± 5% CARBON RESISTOR.  
 ALL RESISTANCE VALUES ARE IN OHM(S).  
 ALL CAPACITORS ARE CERAMIC CAPACITOR OR MYLAR CAPACITOR.  
 ALL CAPACITANCE VALUES ARE IN pF(pF).  
 ALL INDUCTANCE VALUES ARE IN μH(μH).  
 ALL CAPACITORS ARE SHOWN IN THE FORM OF CAPACITANCE (pF)/RATED VOLTAGE (V).  
 ALL DIMENSIONS ARE ISO119/041-12.

GVA10066-A1

# FL display / System control / User control keys section



(SHEET 3)



(SHEET 3)

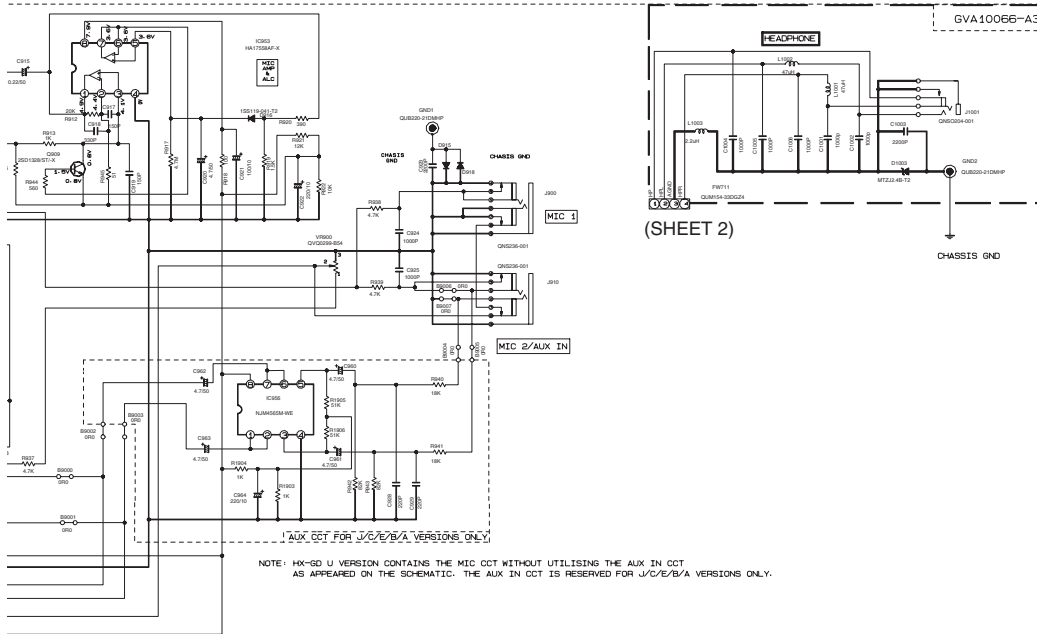
(SHEET 2)

GDR		VERSION			
REF. NO.	J/C	B/E/EN/VE/EE	US/LN/UJ	UX	UX
R997 (B1020)	100	100	220	220	430
R998 (B1021)	B/W	120	130	130	150
R999 (B1022)	B/W	B/W	B/W	220	270

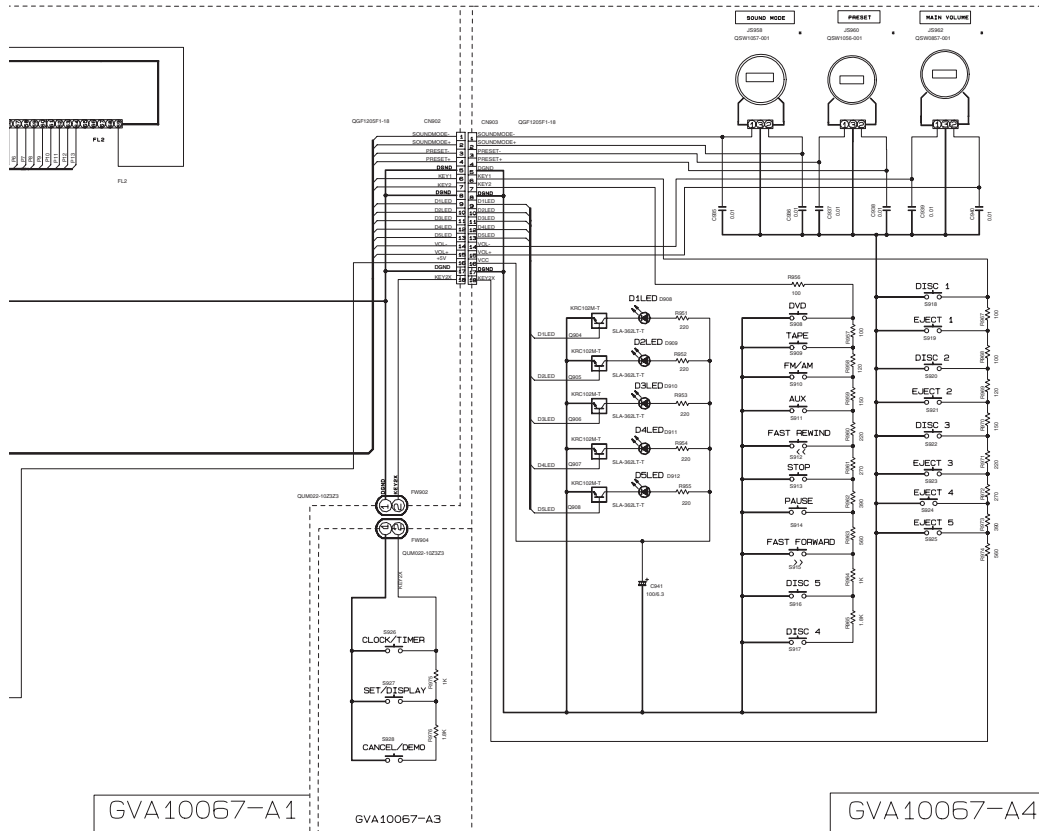
G07		VERSION			
REF. NO.	J/C	B/E/EN/VE/EE	US/LN/UG	A	UX
R997 (B1020)	430	820	2.7K	2.7K	10K
R998 (B1021)	430	430	110	110	100
R999 (B1022)	390	560	B/W	1.8K	110

GX7		VERSION			
REF. NO.	J/C	UW	B/E/EN/VE/EE	US/LN/UJ	UX
R997 (B1020)	100	100	220	220	430
R998 (B1021)	B/W	120	130	130	150
R999 (B1022)	B/W	B/W	B/W	220	270

- NOTES
1. VOLTAGES ARE DC-MEASURED CONDITION — OR OSCILL
  2. UNLESS OTHERWISE SPECIFI RESISTORS ARE 1/4W ± 5% ( ALL RESISTANCE VALUES AF ALL CAPACITORS ARE CERAM ALL CAPACITANCE VALUES A ALL INDUCTANCE VALUES AF ALL E-CAPACITORS ARE SHC ALL DIODE ARE 1SS119-041 ALL TACT SWITCH ARE QSW0 NI ———> COMPONENT NOT SHORT ———> REPLACE BY B
  3. CN990 ONLY USE FOR FLASH



(SHEET 2)



C-MEASURED WITH A DIGITAL VOLT METER AUX MODE. VOL MIN. BASS OFF OR OSCILLOSCOPE WITHOUT INPUT SIGNAL.

SE SPECIFIED

1/4W ± 5% CARBON RESISTOR.

VALUES ARE IN OHM(Ω).

ARE CERAMIC CAPACITOR OR MYLAR CAPACITOR.

E VALUES ARE IN #F(P=pF).

VALUES ARE IN #H(m=mH).

RS ARE SHOWN IN THE FORM OF CAPACITANCE (#F)/RATED VOLTAGE (V).

ISS119-041-T2

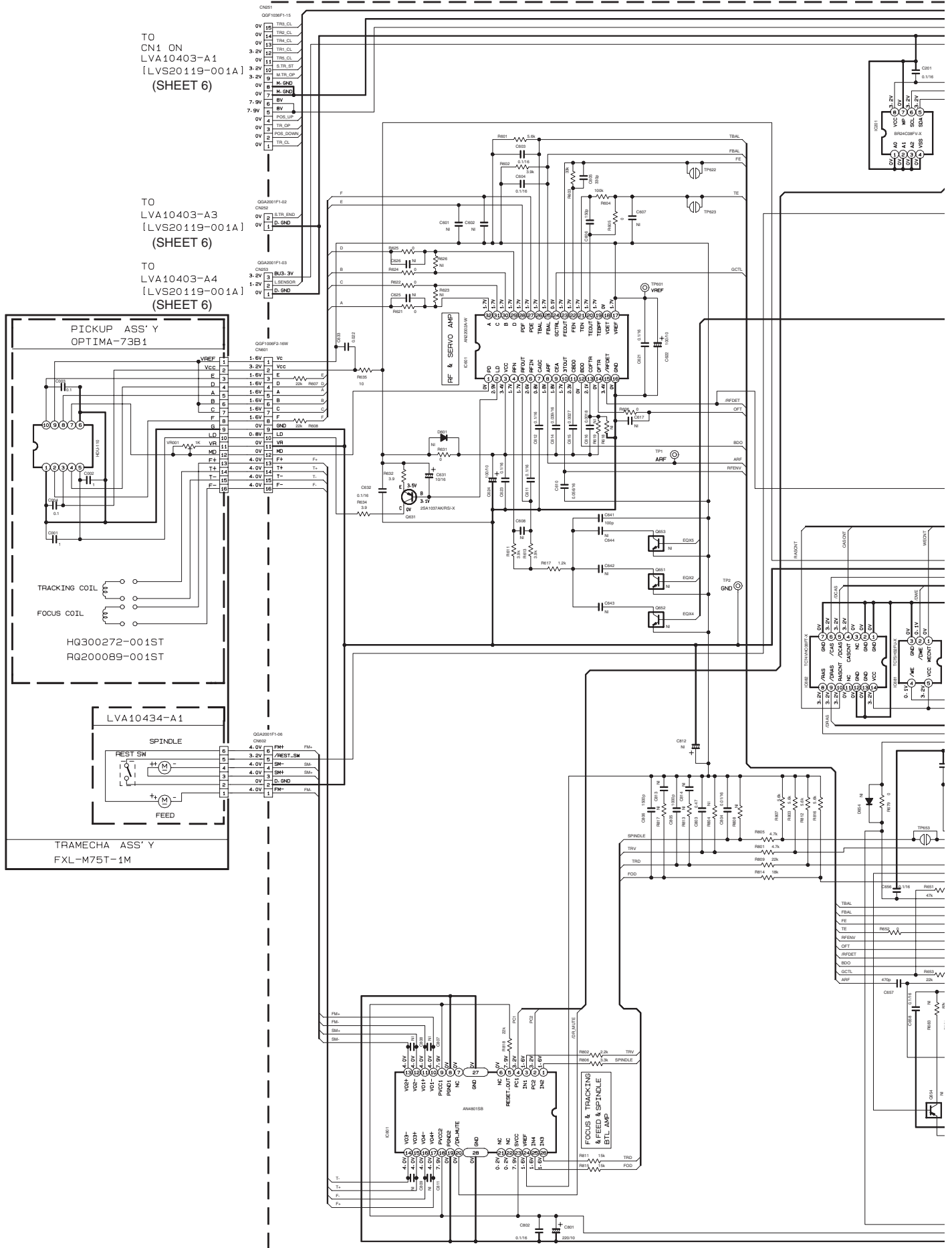
H ARE QSW674-001Z

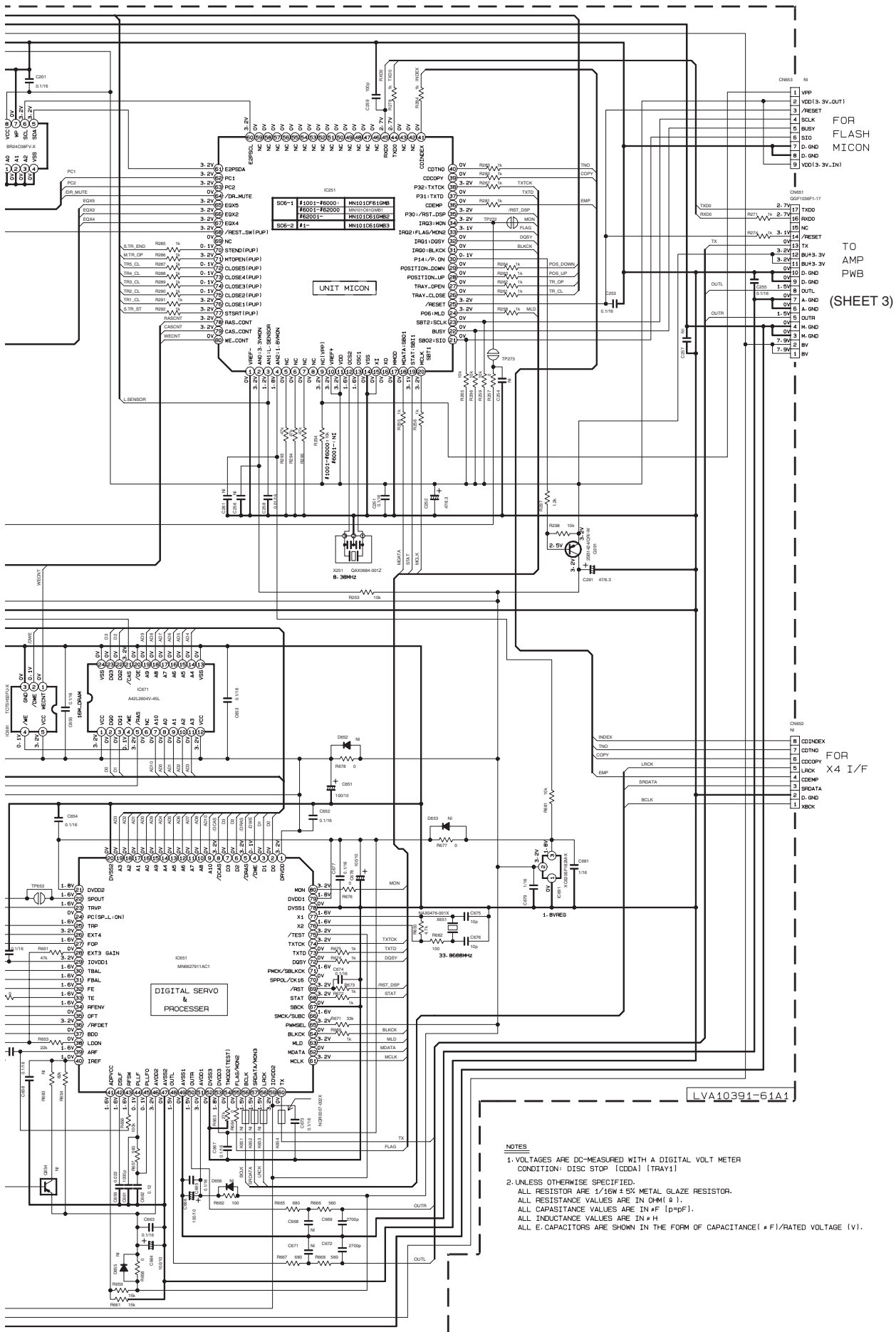
ONENT NOT INSERT

PLACE BY BUS WIRE

FOR FLASH MICOM

# CD changer mechanism control / CD servo and CD system control section





FOR  
FLASH  
MICON

TO  
AMP  
PWB

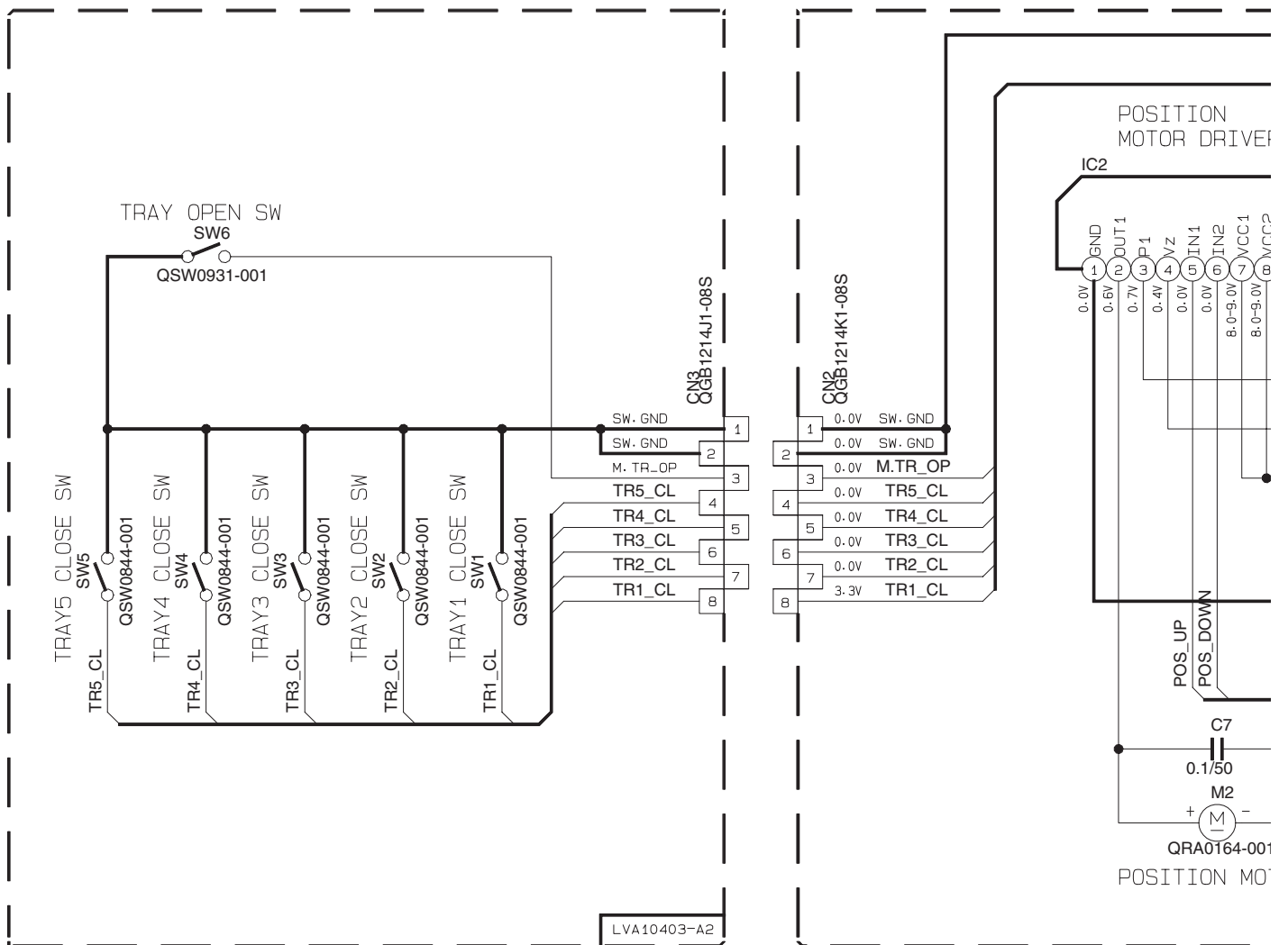
(SHEET 3)

FOR  
X4 I/F

LVA10391-61A1

- NOTES
1. VOLTAGES ARE DC-MEASURED WITH A DIGITAL VOLT METER  
CONDITION: DISC STOP (CDDA) (TRAY1)
  2. UNLESS OTHERWISE SPECIFIED.  
ALL RESISTOR ARE 1/16W 5% METAL GLAZE RESISTOR.  
ALL RESISTANCE VALUES ARE IN OHM (Ω).  
ALL CAPACITANCE VALUES ARE IN nF (p-pF).  
ALL INDUCTANCE VALUES ARE IN μH.  
ALL E-CAPACITORS ARE SHOWN IN THE FORM OF CAPACITANCE (μF)/RATED VOLTAGE (V).

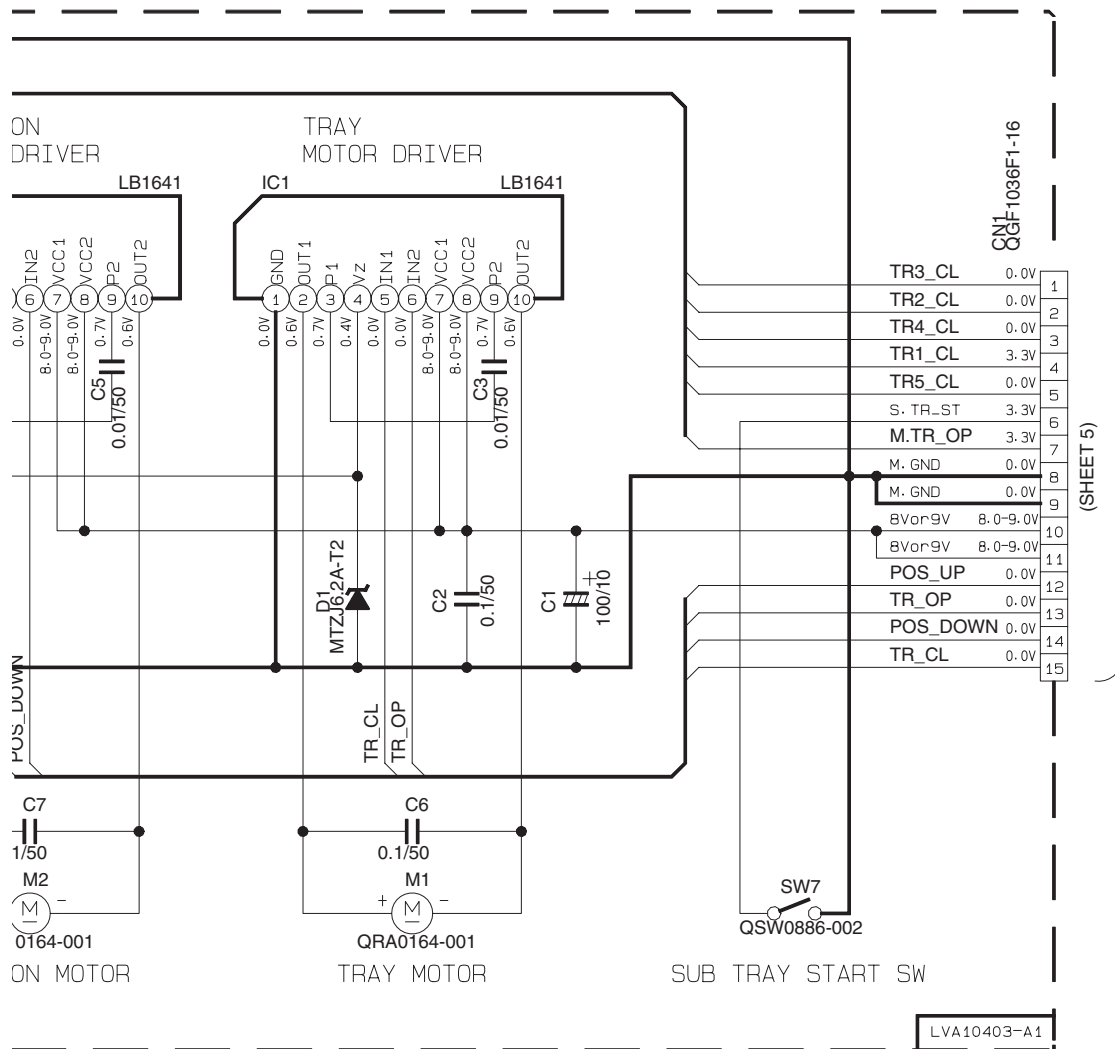
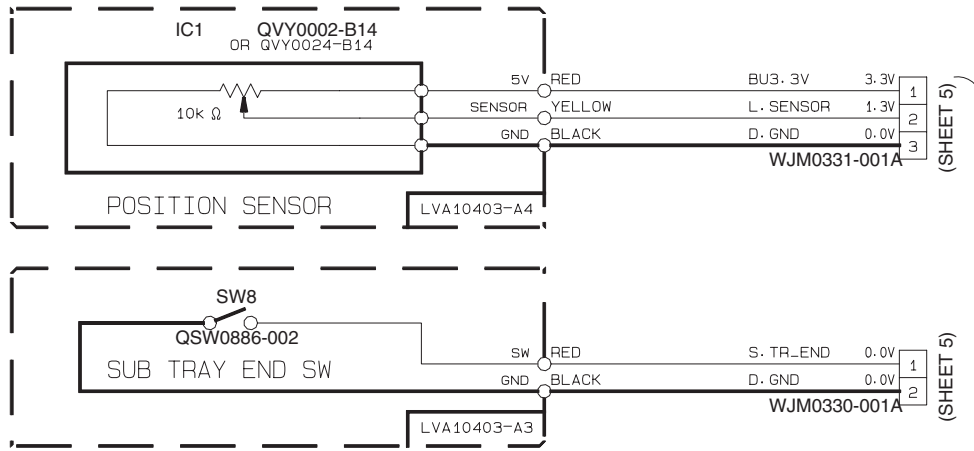
## CD tray control section



### NOTES

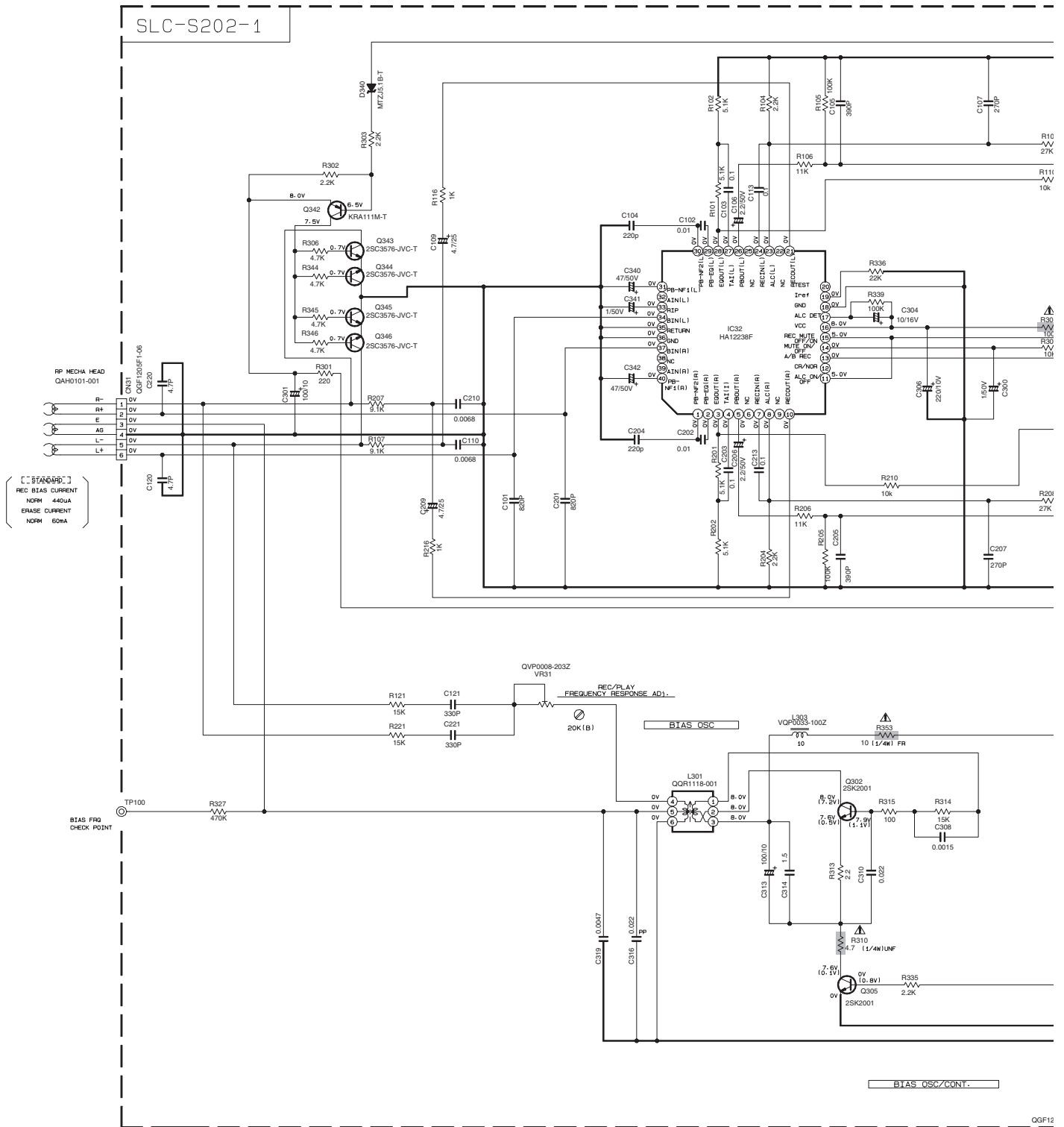
1. VOLTAGES ARE DC-MEASURED WITH A DIGITAL VOLT METER.  
CONDITION:DISC1 STOP
2. UNLESS OTHERWISE SPECIFIED.  
ALL CAPACITORS ARE SHOWN IN THE FORM OF CAPACITANCE (  $\mu$  F)/RATED VOLTAGE (V).





TO POWER AND MECHA CONTROL MICOM

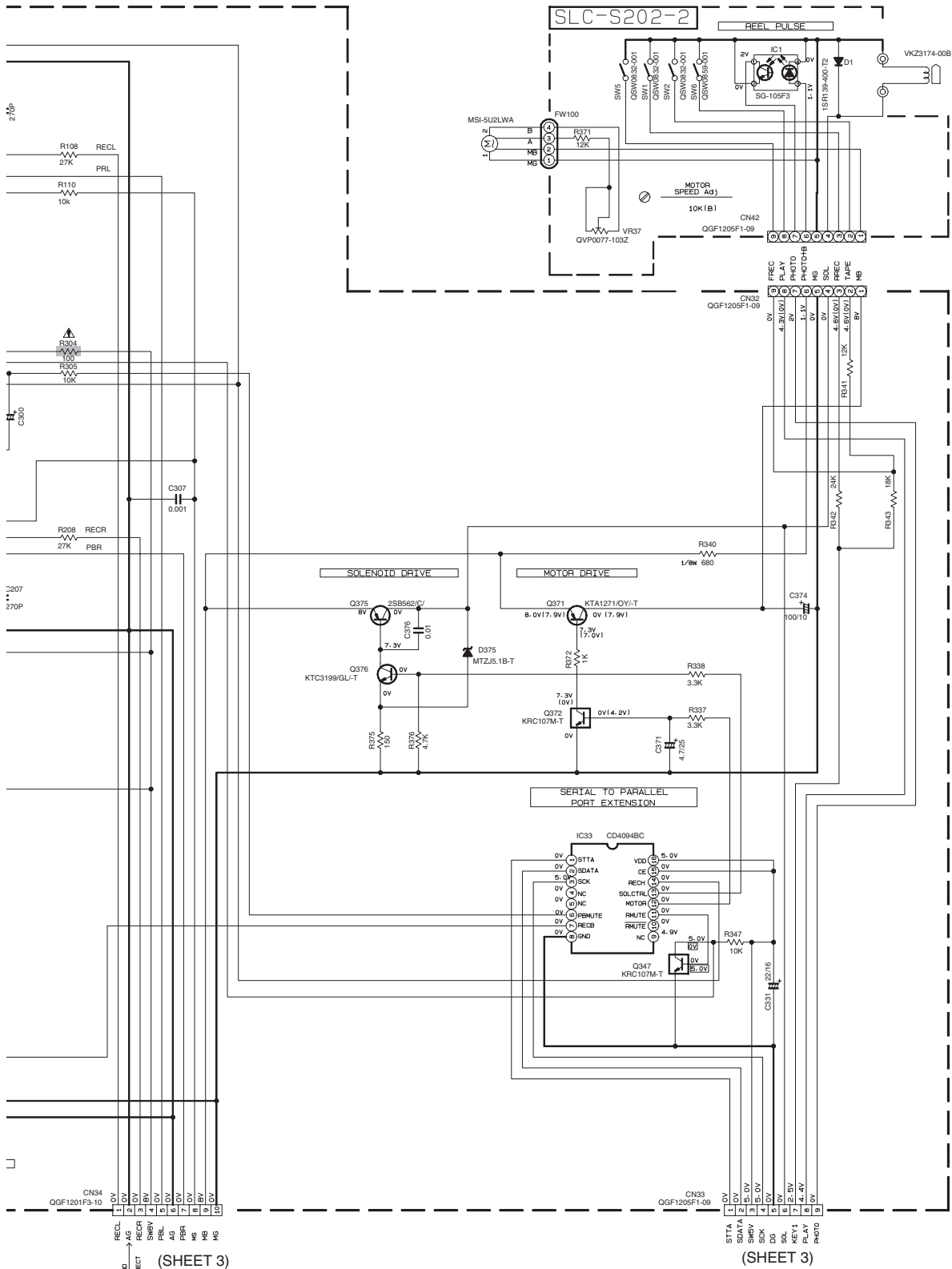
# ■ Tape deck mechanism control / Tape circuit such as pre-amp. and bias section



## NOTES

1. VOLTAGES ARE DC-MEASURED WITH A DIGITAL VOLT METER OR OSCILLOSCOPE WITHOUT INPUT SIGNAL. CONDITION - MECHA STOP MODE

2. UNLESS OTHERWISE SPECIFIED - RESISTORS ARE 1/10W ±5% METAL GLAZE RESISTOR. ALL RESISTANCE VALUES ARE IN OHM(Ω). ALL CAPACITORS ARE CERAMIC CAPACITOR OR MYLAR CAPACITOR. ALL CAPACITANCE VALUES ARE IN #F(P=PF). ALL INDUCTANCE VALUES ARE IN #H(M=MH). ALL E. CAPACITORS ARE SHOWN IN THE FORM OF CAPACITANCE (#F)/RATED VOLTAGE (V). # POLYPROPYLENE CAPACITOR



(SHEET 3)

(SHEET 3)

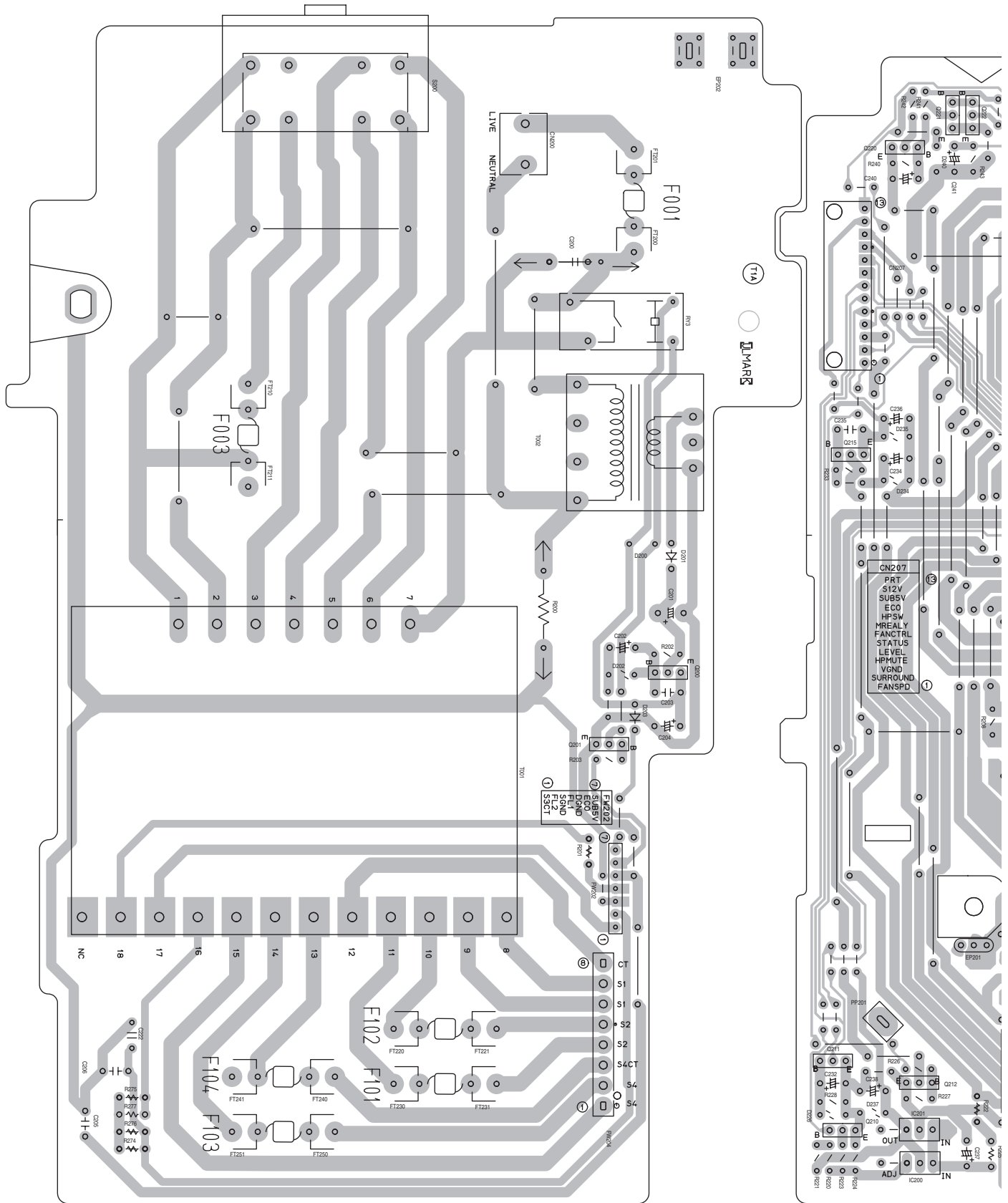
RESISTOR.

VOLTAGE (V).

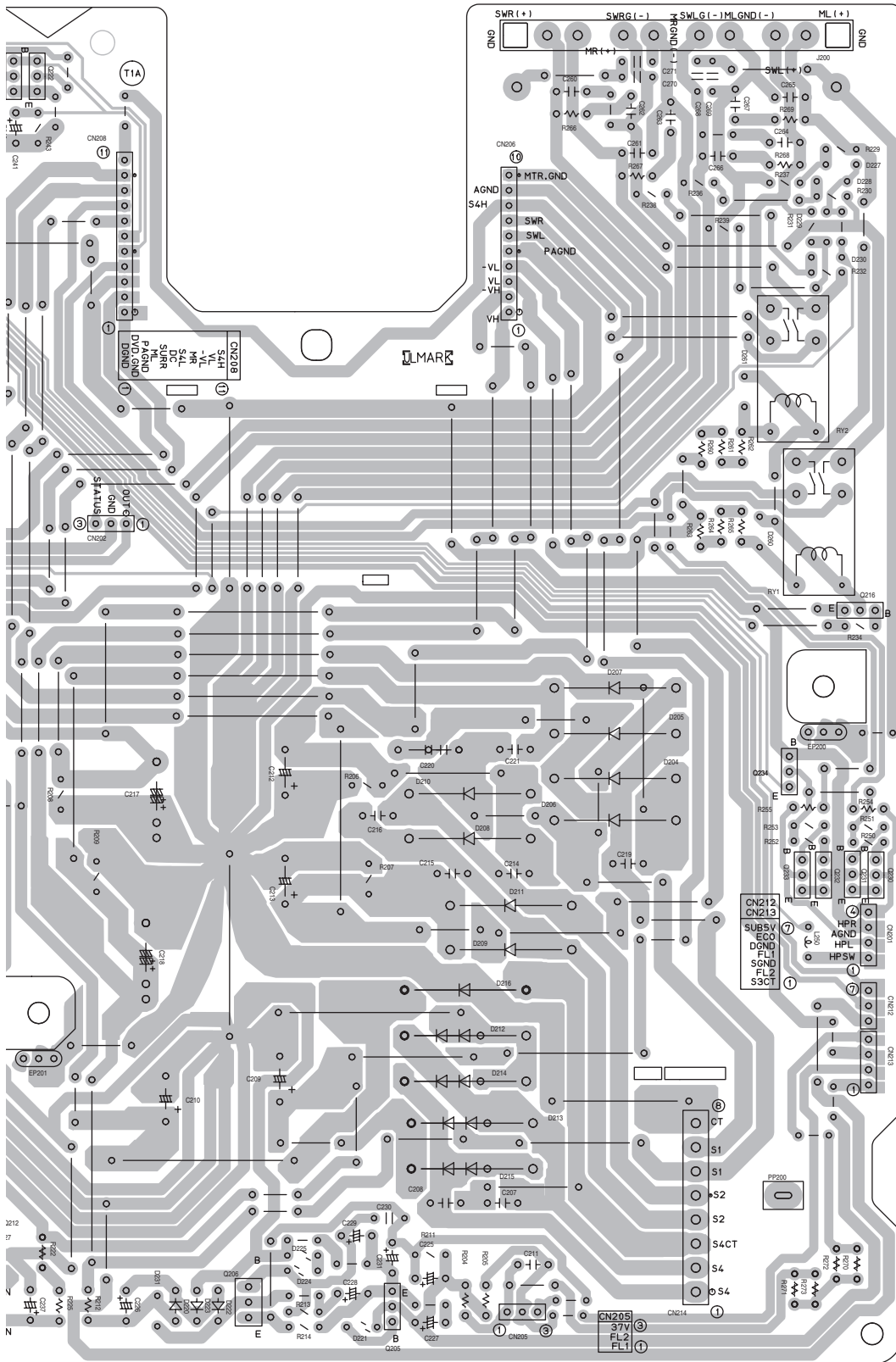
▲ Parts are safety assurance parts.  
When replacing those parts make  
sure to use the specified one.

# Printed circuit boards

## ■ Power board

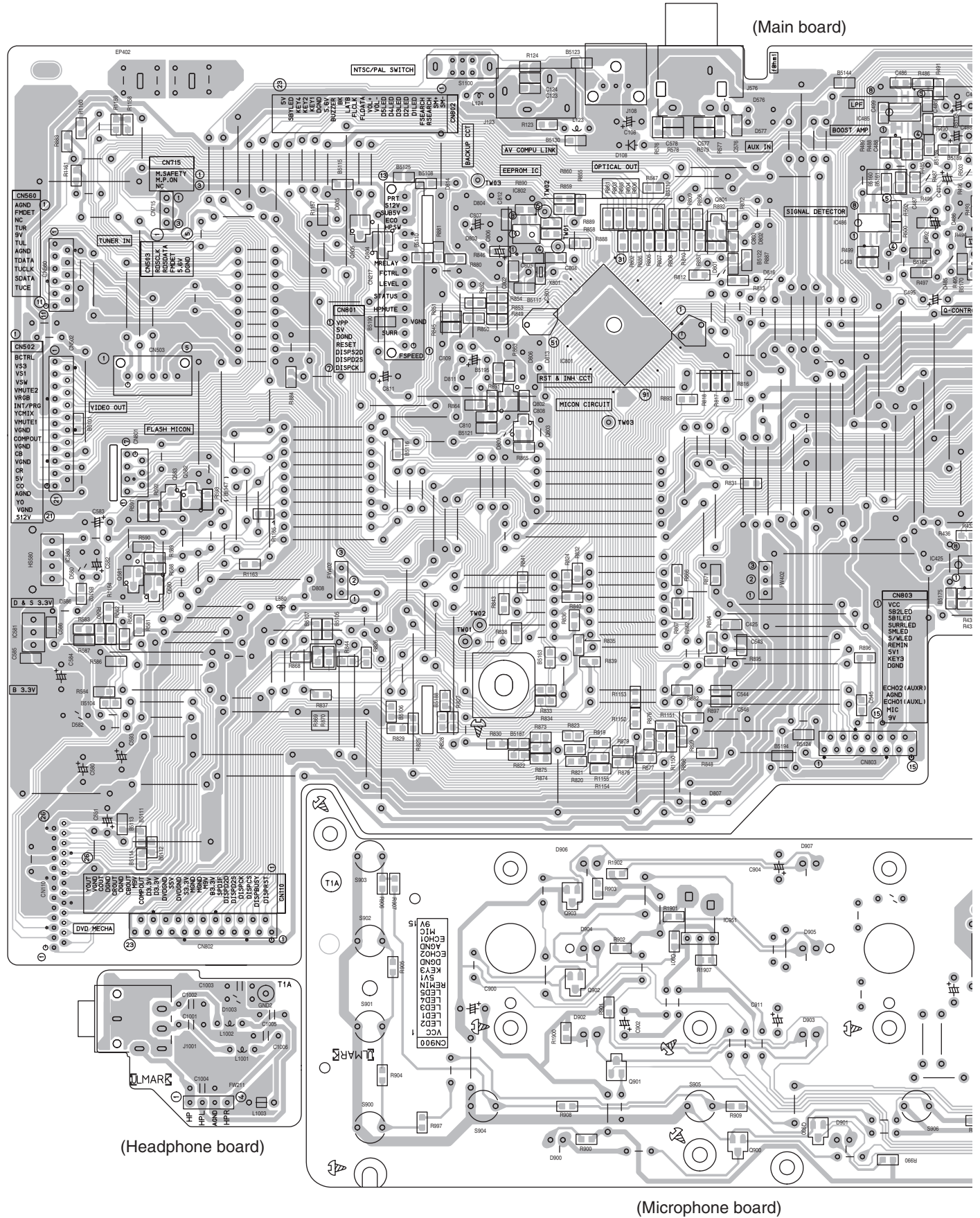


(Primary board)

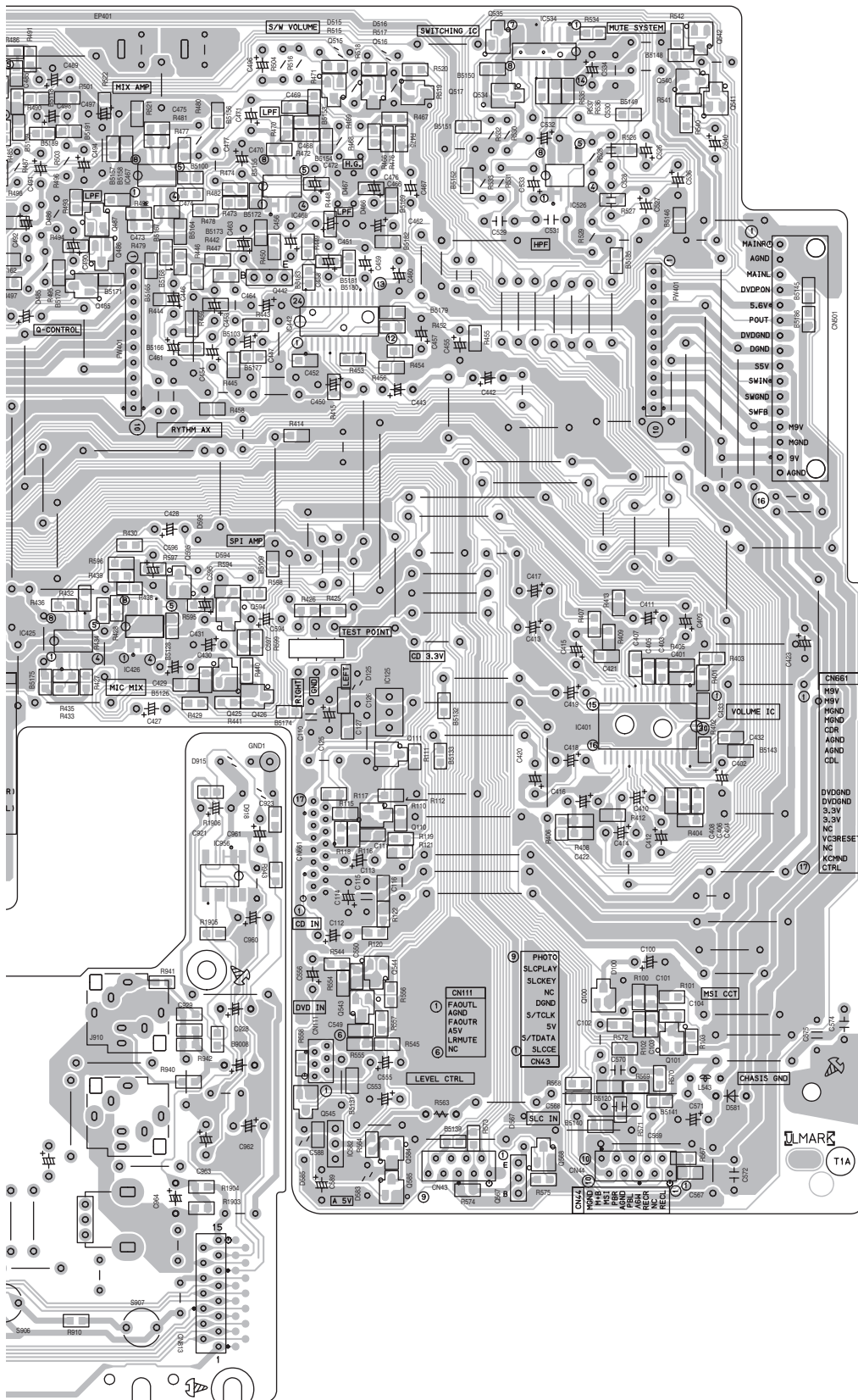


(Bridge board)

# Input board



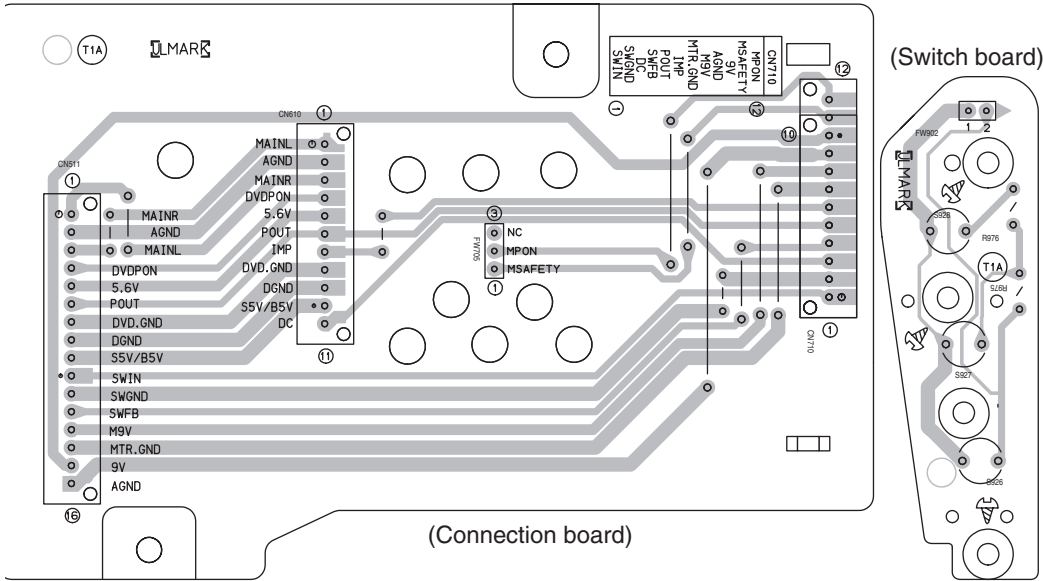
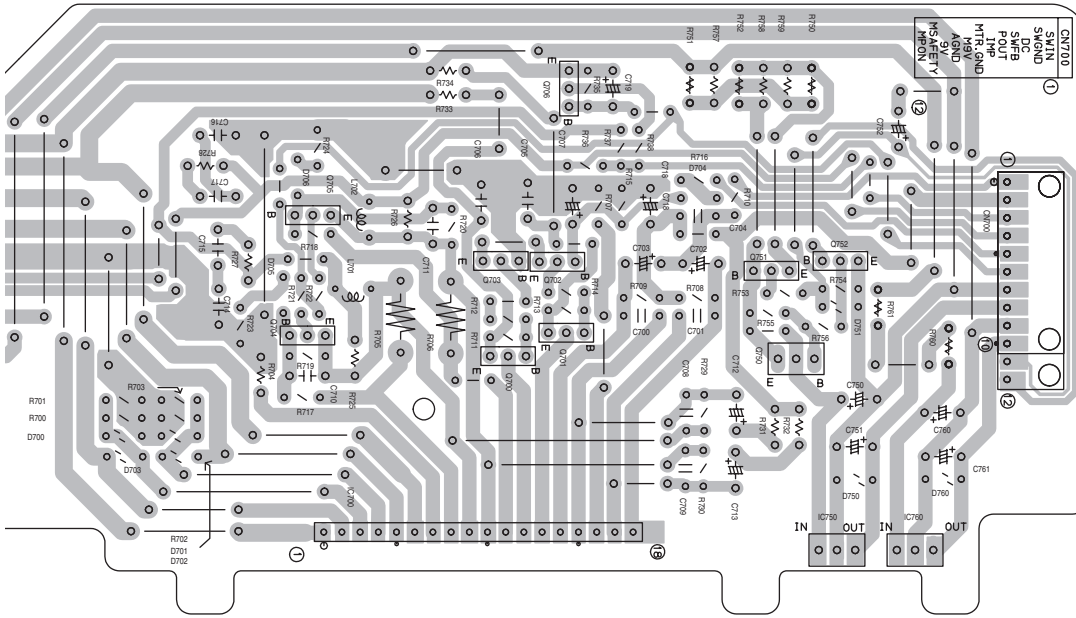






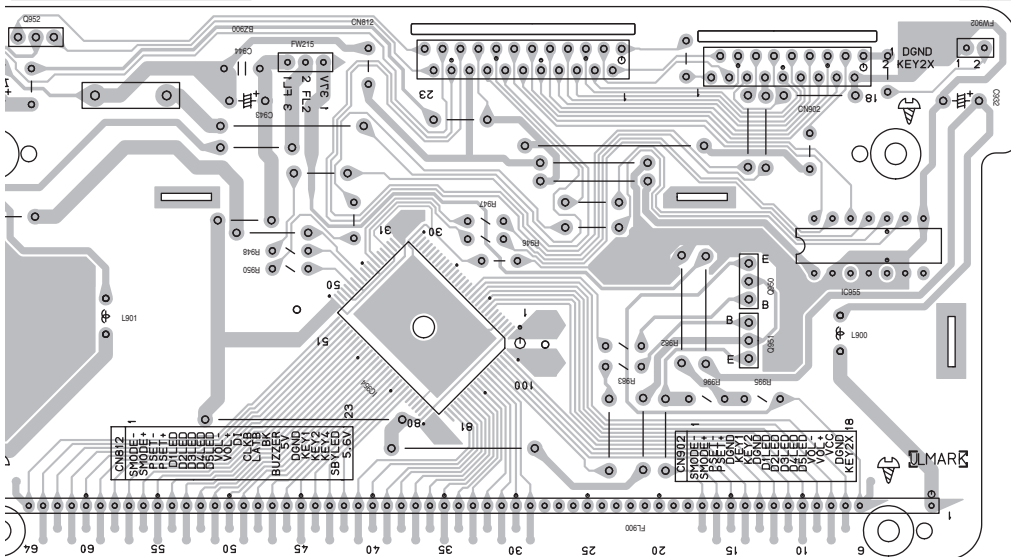


(Subwoofer amplifier board)



(Connection board)

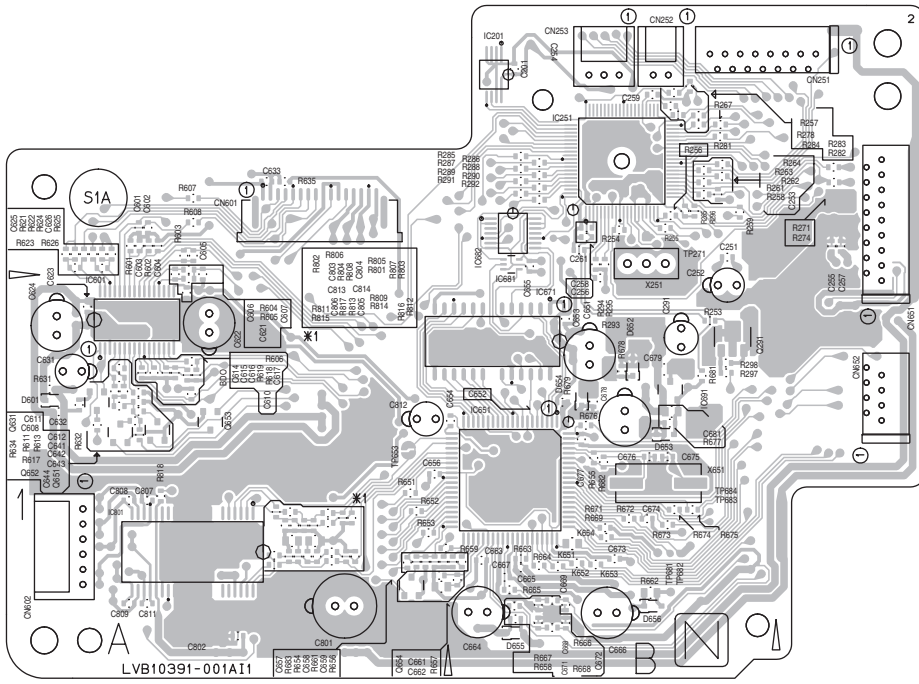
(Switch board)



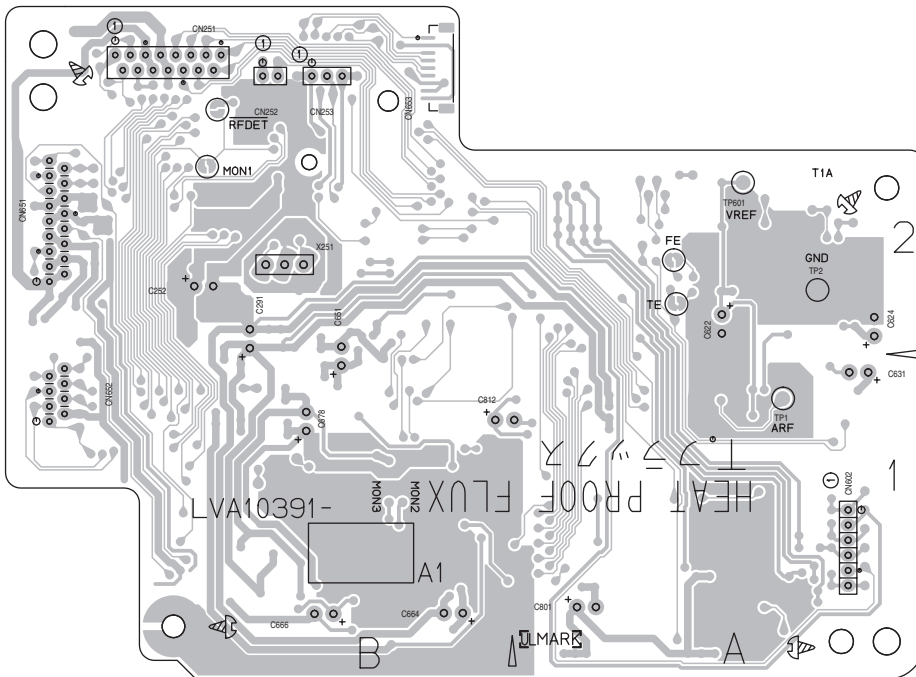
(FL board)

■ CD servo board

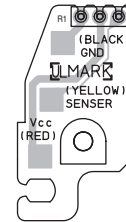
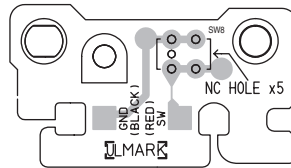
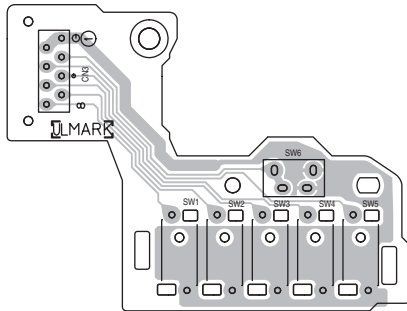
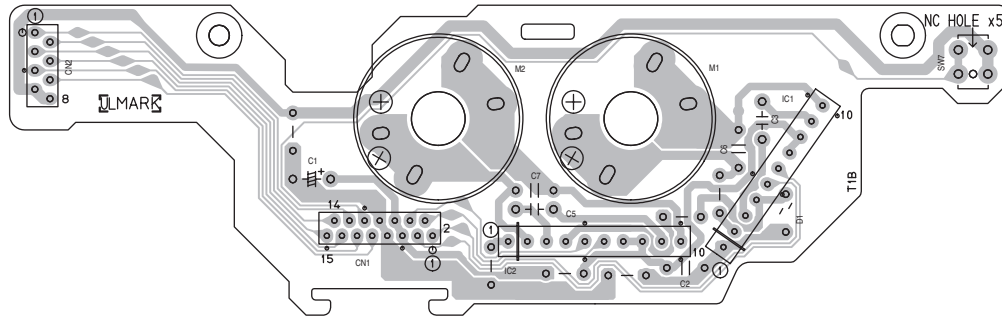
(Forward side)



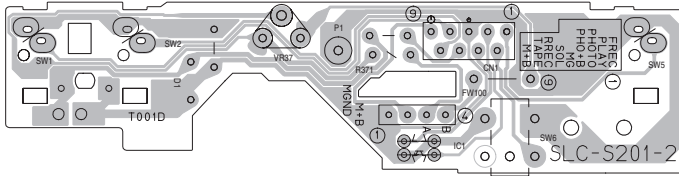
(Reverse side)



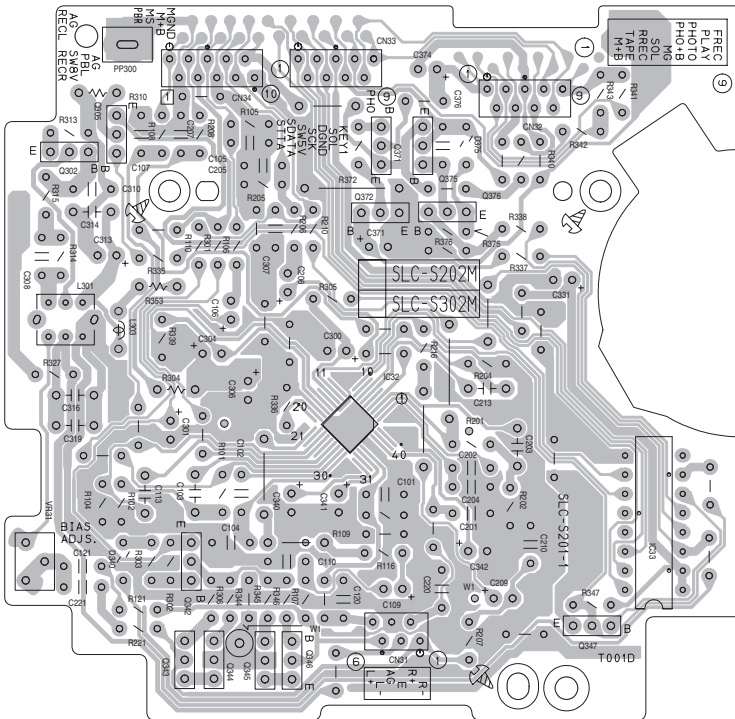
## ■ Loading switch board



## ■ Cassette switch board



## ■ Head amplifier board



< MEMO >

**JVC**

**VICTOR COMPANY OF JAPAN, LIMITED**

AV & MULTIMEDIA COMPANY AUDIO/VIDEO SYSTEMS CATEGORY 10-1, 1chome, Ohwatari-machi, Maebashi-city, 371-8543, Japan

(No.MB161SCH)



Printed in Japan  
WPC